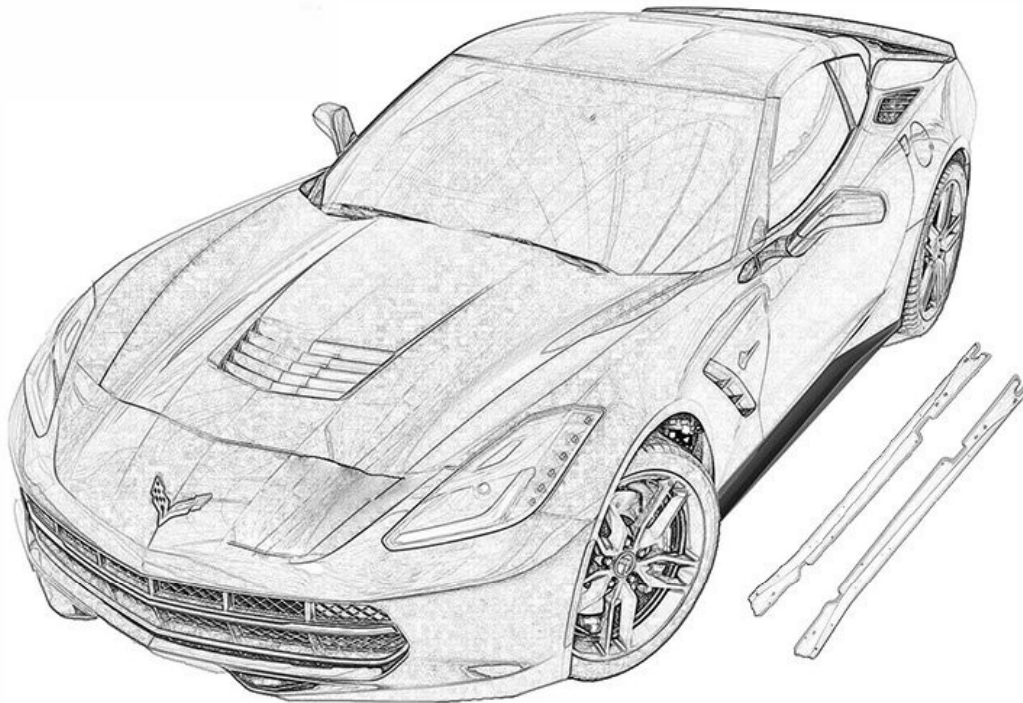


**Corvette C7 Stingray**

**INSTALLATION MANUAL**

## **Chevrolet corvette C7 Bottom Line Side Skirt Installation**



**READ CAREFULLY  
BEFORE INSTALLATION**

**We recommend 2 people for installation**

**WARNING!!! Please test fit the items before applying paint job.**

**WARNING!!! Please be careful when getting in/out the car.  
To prevent any damages, avoid stepping on the Side Skirts.**



**TOOLS**

**INSTALLATION MANUAL**

**Self-tapping screw**  
(provided)



**Auto Double-Sided Mounting Tape**  
(not provided)



**Car jack**



**Socket Wrench**



**Screw Driver**



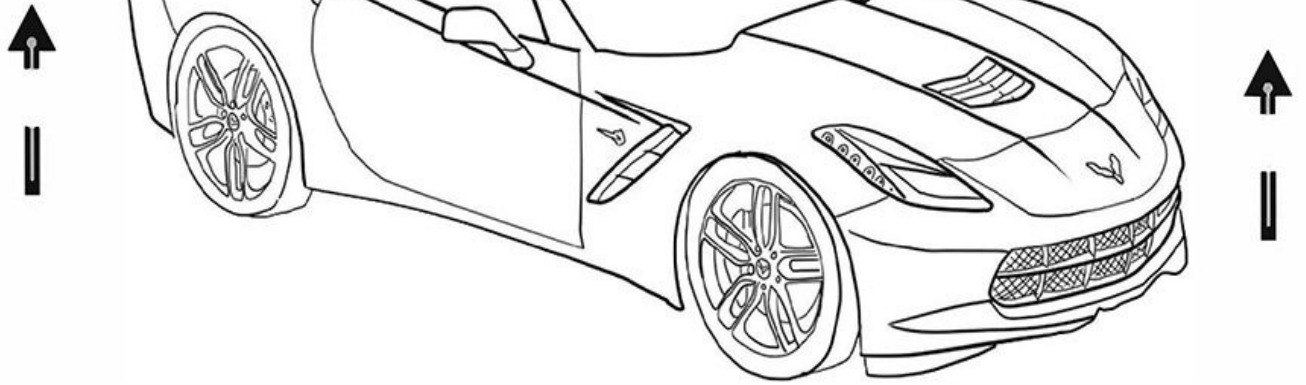
**Auto Cleaner**



**Impact Drive**

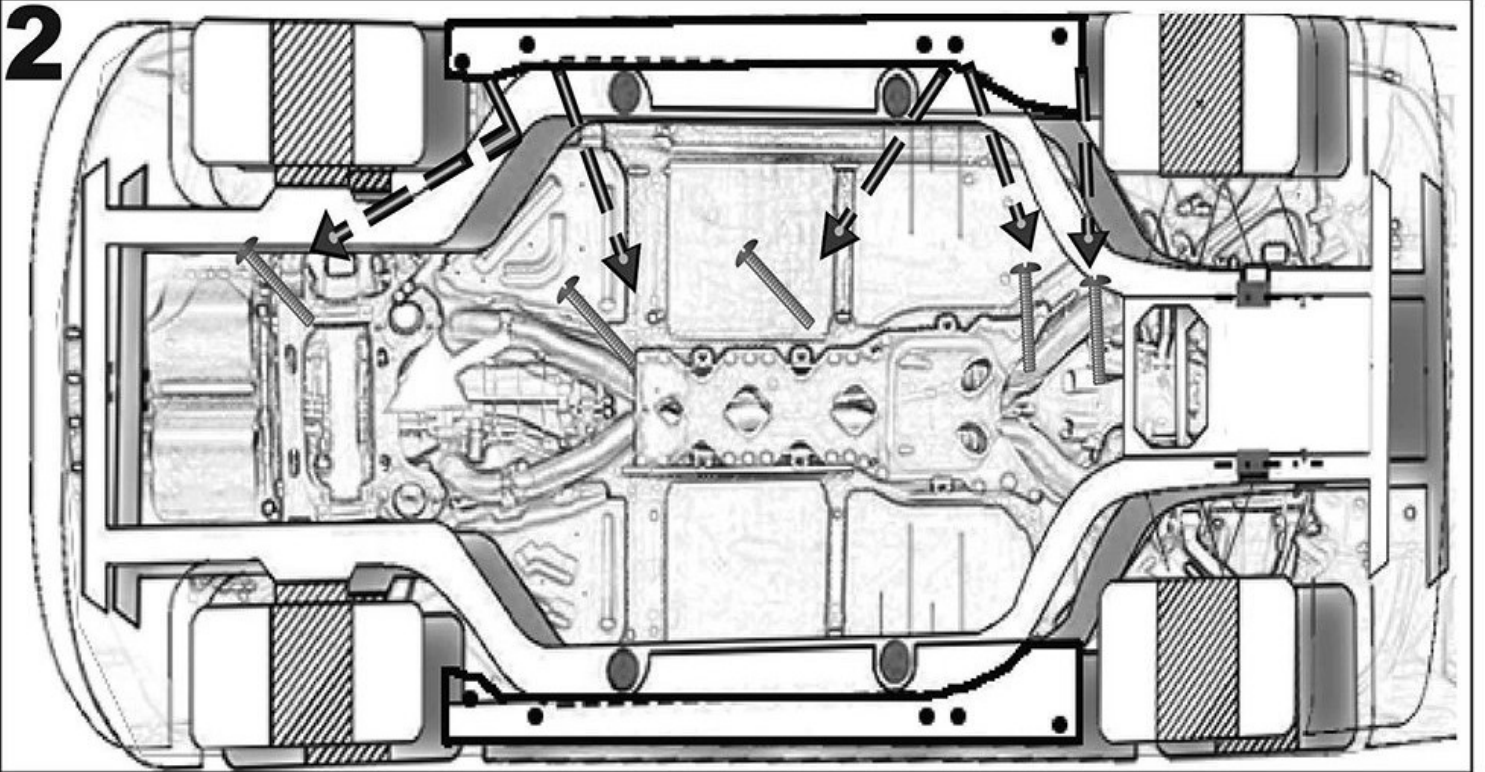


**1**



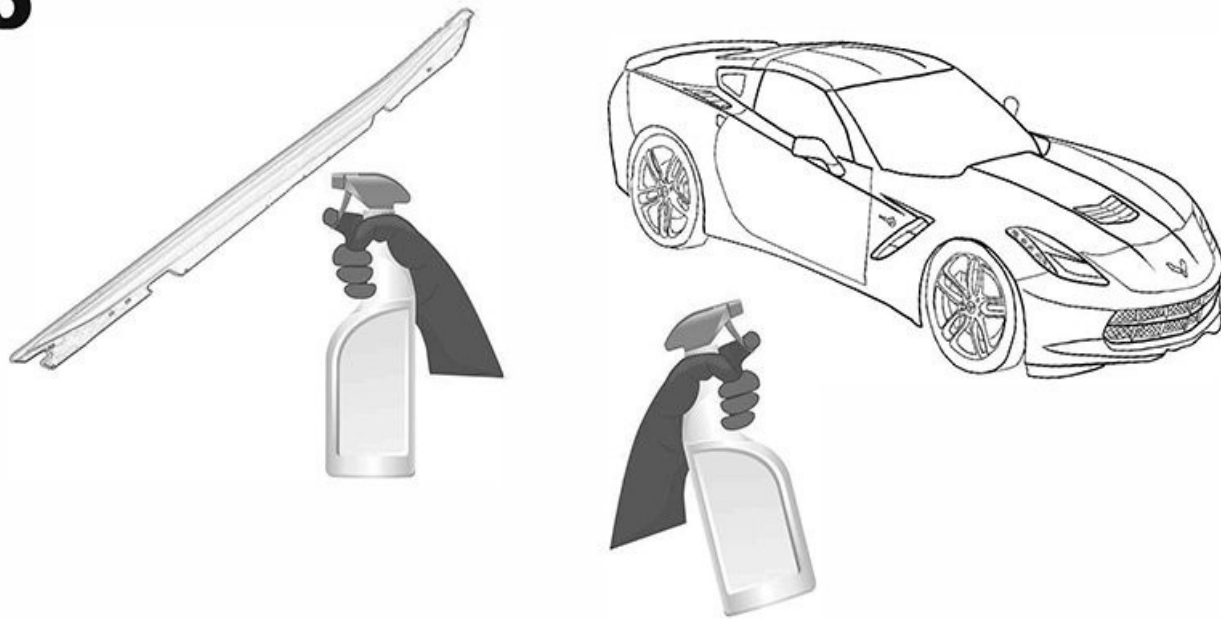
**Raise vehicle to a comfortable working height**

**2**



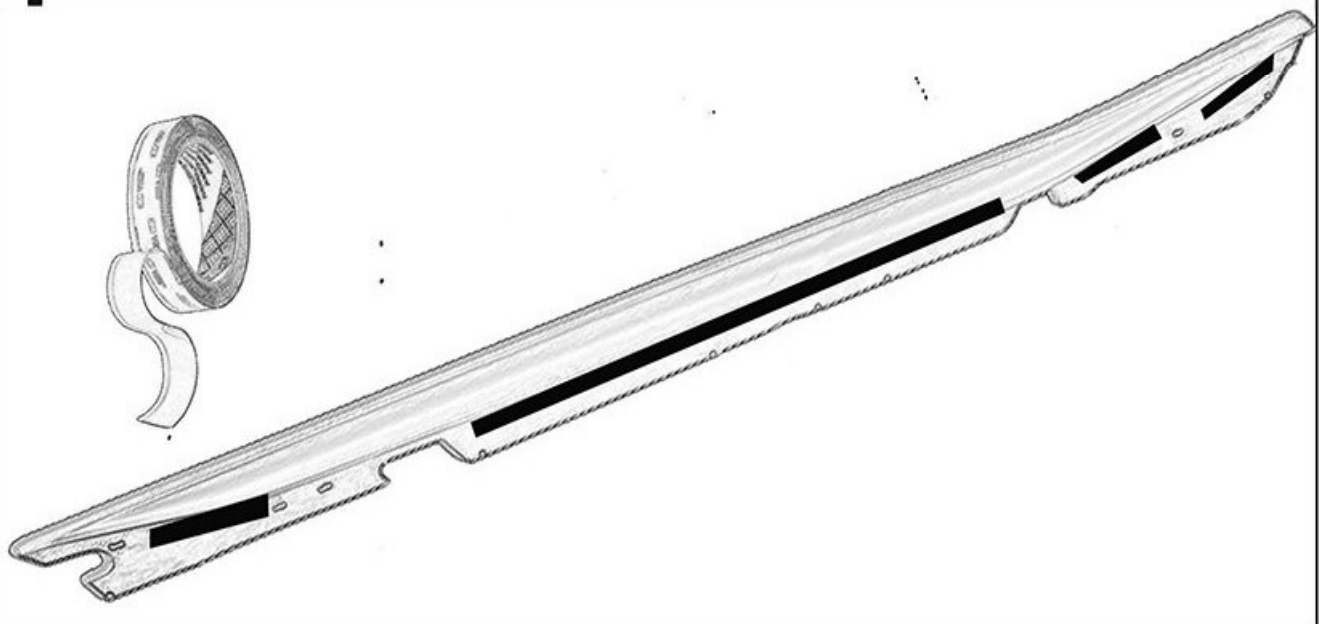
**Remove 5 bolts located on the underside of the OEM rocker on each side**

**3**



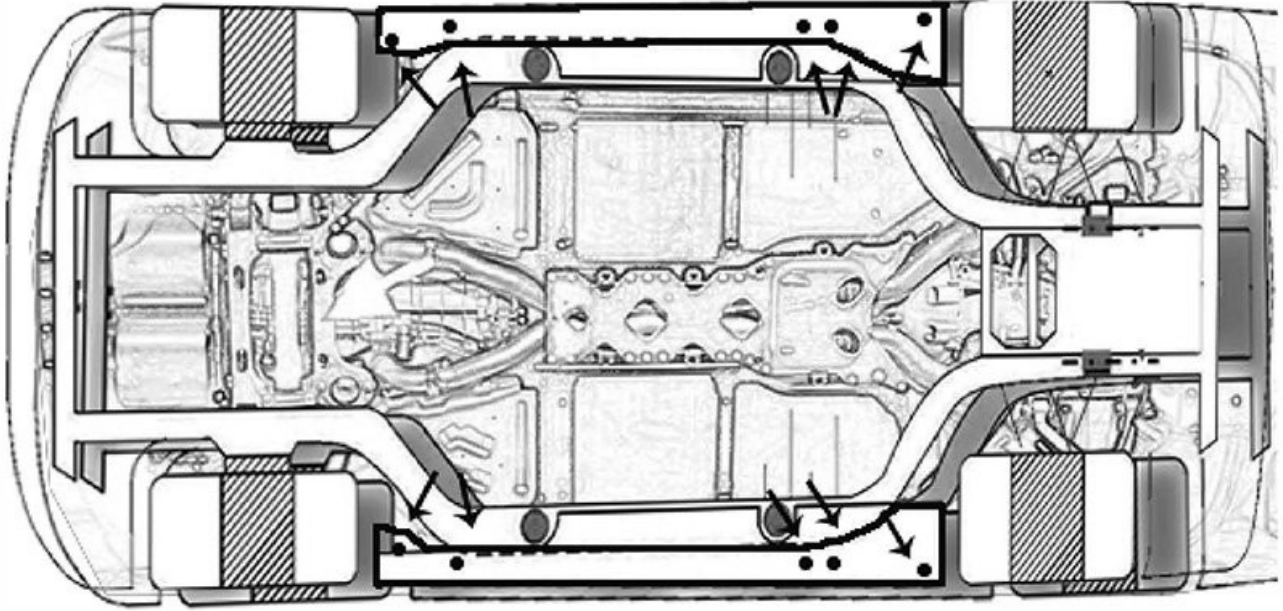
**Clean the painted surface of the original rocker on the car.  
Ensure the underside portion is free of debris and residue**

**4**



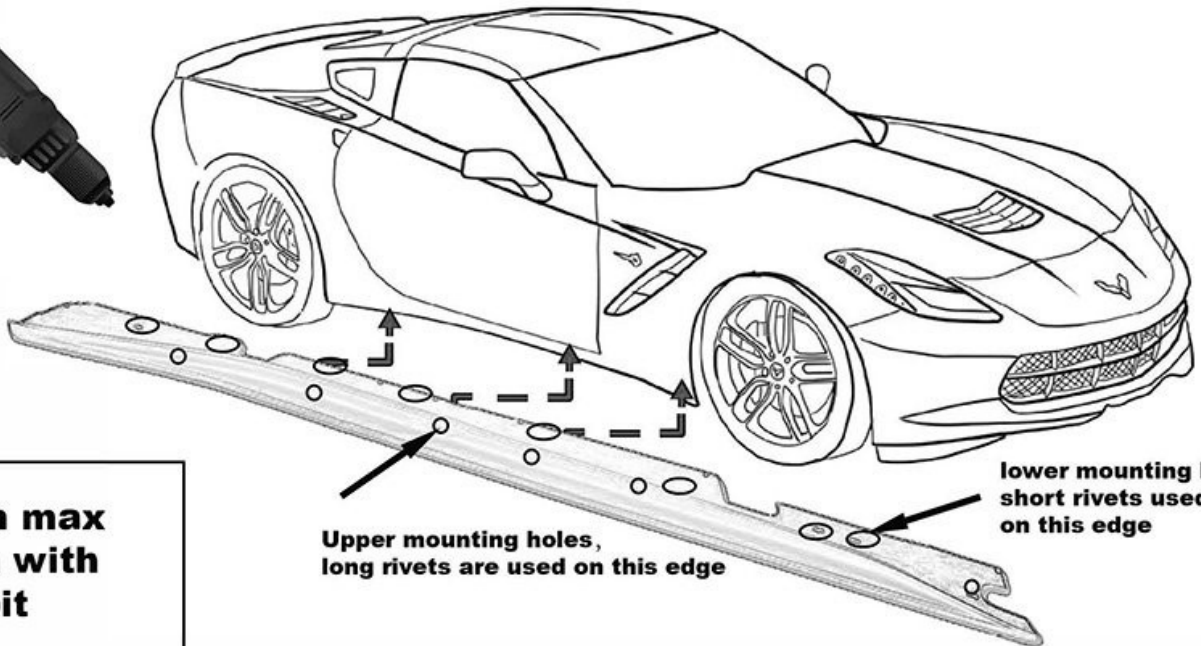
**Attach 3M Double Sided Tape (as shown in the picture) onto the Side Skirts, avoid covering the Predrilled holes with the Tape.**

**3**



**Reinstall bolts from step2**

**4**



**12mm max depth with drill bit**

**Upper mounting holes, long rivets are used on this edge**

**lower mounting holes short rivets used on this edge**

**Use 5mm (3/16") drilling bit and the EOS Rocker as a template to drill the holes on the side of th car. Install 3/16" rivet. Drill from top section first then lower section.**